

Workhorse

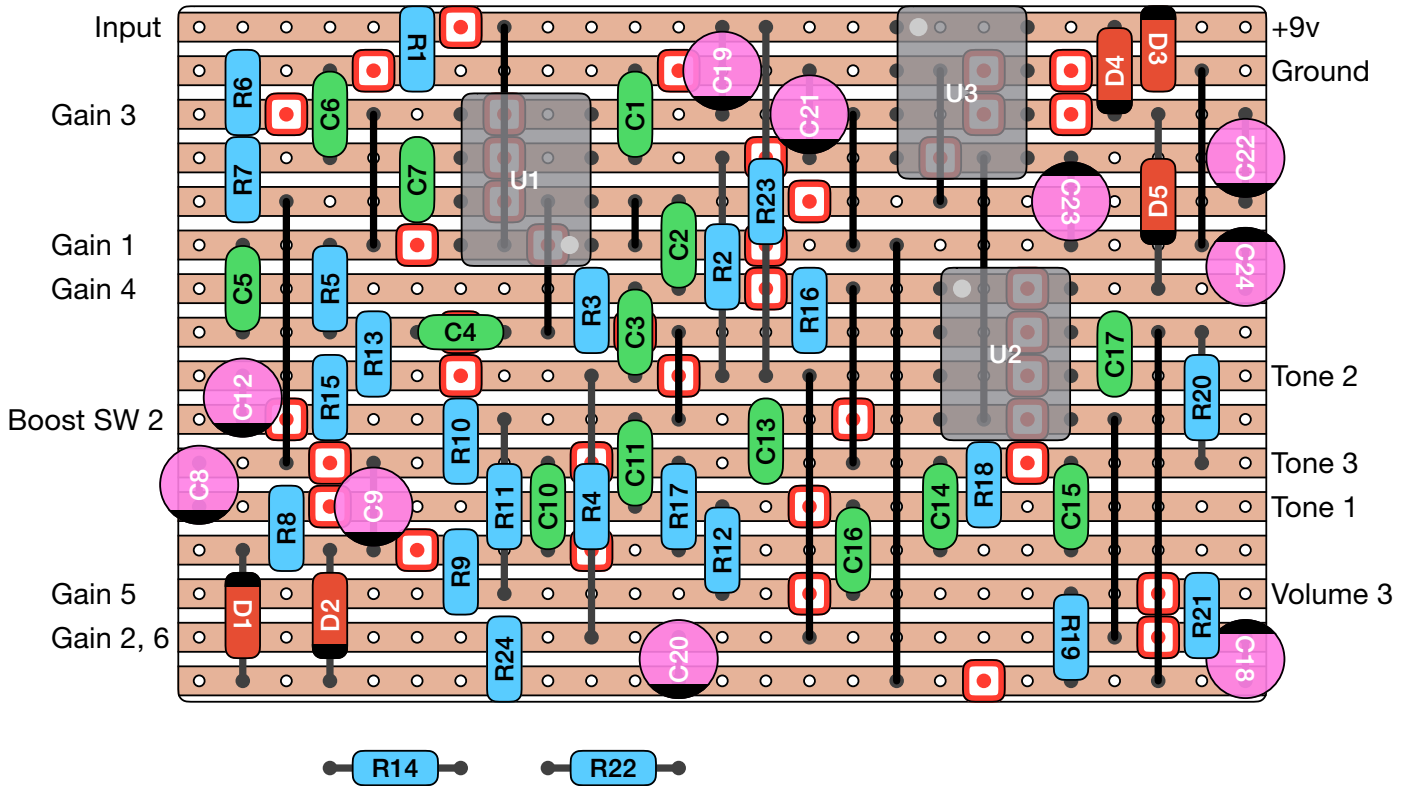
Version: 2.1

Date: 07.08.15

Verified

Based on "workhorse 0.3" schematic.

Author: Harald Sabro



Connections (5)

- Boost SW 1 -> Ground
- Boost SW 3 -> R14 -> Ground
- Volume 1 -> Ground
- Volume 2 -> Output
- Volume 2 -> R22 -> Ground

Notes (5)

- Notice cuts underneath C3 and C4
- Notice U1 orientation
- Add R14 and R22 directly to the switch and pot respectively
- U3 must have S-postfix to keep from making noise
- Capacitors rated 25v+

Workhorse		Version: 2.1	Date: 07.08.15
Verified	Based on "workhorse 0.3" schematic.		Author: Harald Sabro

Boards (1)

BD1: 25 x 16

Trace cuts (39)

Jumpers (15)

Resistors (24)

R1: 10k

R2: 1M

R3: 4k7

R4: 1k

R5: 10k

R6: 2k2

R7: 470k

R8: 1k

R9: 22k

R10: 47k

R11: 22k

R12: 10k

R13: 1k5

R15: 15k

R16: 330k

R17: 22k

R18: 100k

R19: 47k

R20: 100k

R21: 1k

R23: 22k

R24: 22k

R14: 4k7

R22: 100k

Capacitors (24)

C1: 100n

C2: 68n

C3: 470n

C4: 100n

C5: 68n

C6: 100n

C7: 470p

C8: 1u

C9: 1u

C10: 2n2

C11: 33n

C12: 1u

C13: 1n

C14: 4n7

C15: 10n

C16: 10n

C17: 220p

C18: 4u7

C19: 47u

C20: 47u

C21: 1u

C22: 1u

C23: 1u

C24: 1u

Diodes (5)

D1: 1N34A

D2: 1N34A

D3: 1N4001

D4: 1N4148

D5: 1N4148

ICs (3)

U3: ICL7660S

U2: TL072

U1: TL072

Potentiometers (3)

Gain: B100k dual

Tone: B100k

Volume: B10k

Switches (1)

Boost: SPDT on-on

Workhorse

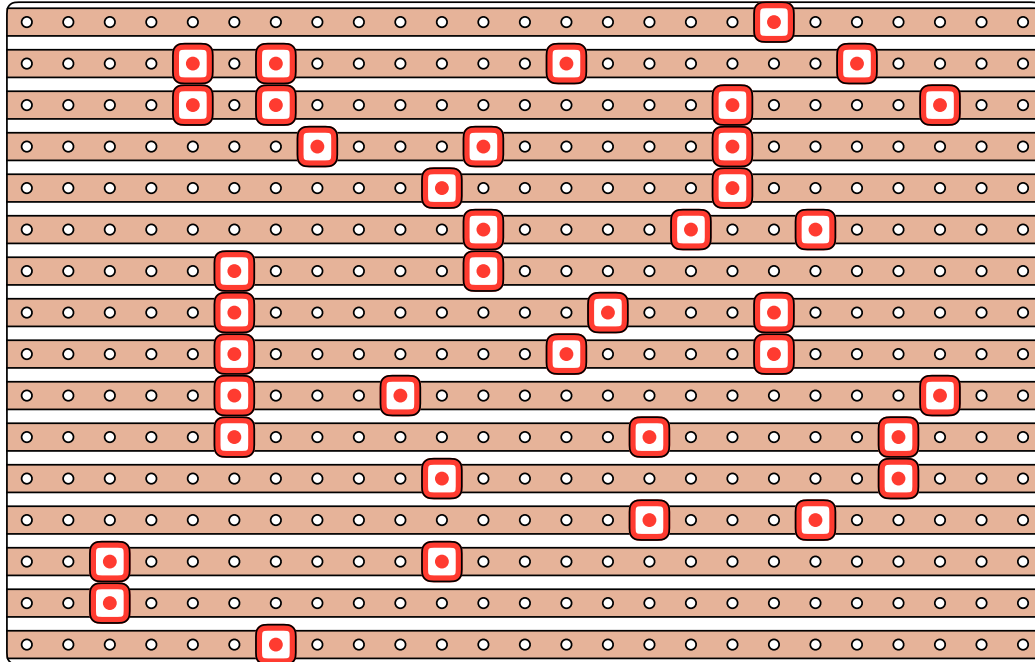
Version: 2.1

Date: 07.08.15

Verified

Based on "workhorse 0.3" schematic.

Author: Harald Sabro



Board size: (25x16)

Trace cut #: 39

Boards (1)

1x (25 x 16)

Resistors (24)

3x 100k

3x 10k

1x 15k

3x 1k

1x 1k5

1x 1M

5x 22k

1x 2k2

1x 330k

1x 470k

2x 47k

2x 4k7

Capacitors (24)

3x 100n

2x 10n

1x 1n

7x 1u

1x 220p

1x 2n2

1x 33n

1x 470n

1x 470p

2x 47u

1x 4n7

1x 4u7

2x 68n

Diodes (5)

2x 1N34A

1x 1N4001

2x 1N4148

ICs (3)

1x ICL7660S

2x TL072

Potentiometers (3)

1x B100k

1x B100k dual

1x B10k

Switches (1)

1x SPDT on-on