

# Mutant

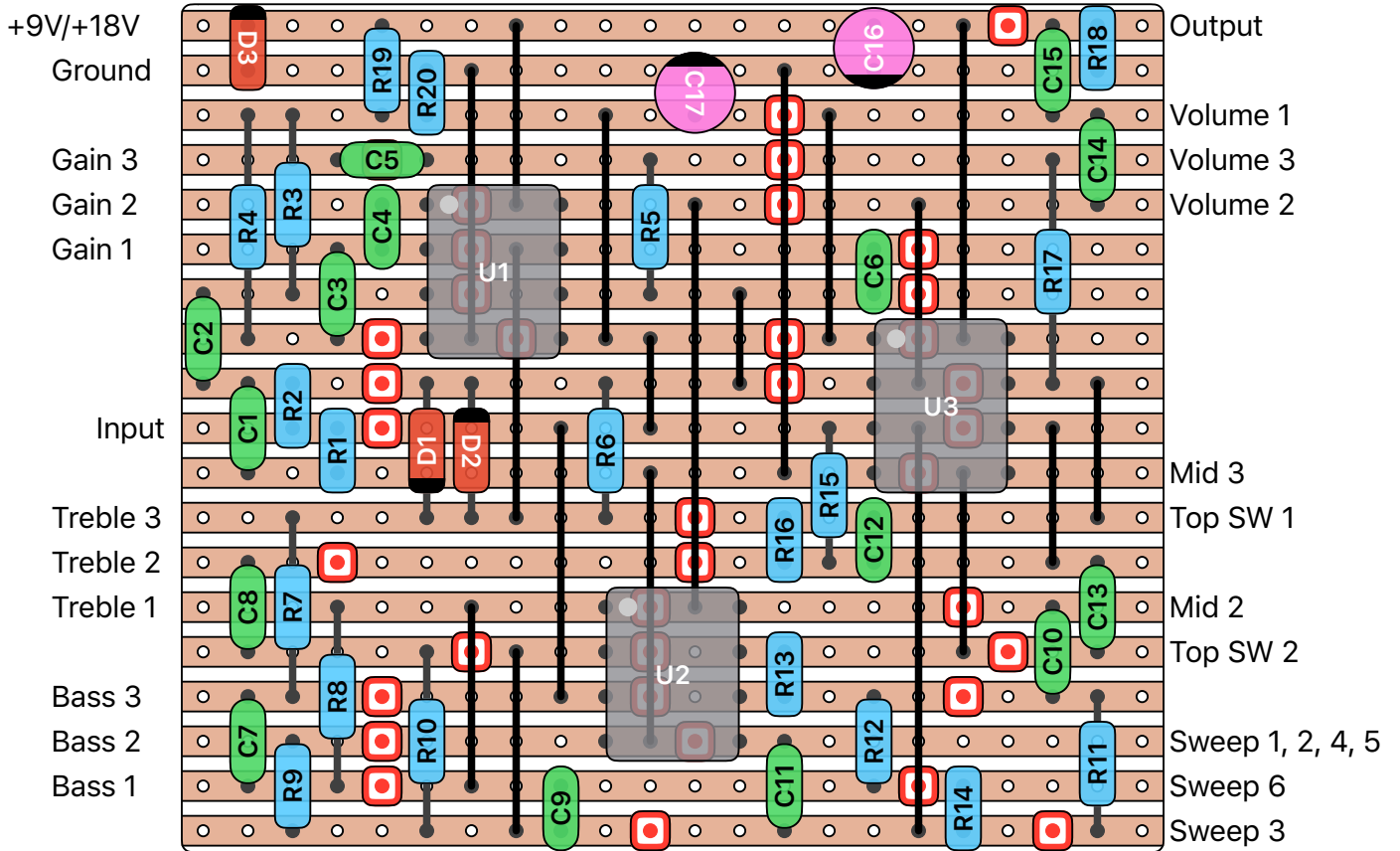
Version: 1.0

Date: 14.05.2016

Verified

Based on own schematic, version 1.0

Author: Harald Sabro



**Connections (1)**  
 Treble 1 -> Mid 1

**Notes (2)**  
 - Notice cut underneath C5  
 - Capacitors rated 25V+

<b>Mutant</b>		Version: 1.0	Date: 14.05.2016
		Author: Harald Sabro	
Verified	Based on own schematic, version 1.0		

**Boards (1)**

BD1: 22 x 19

C16: 100u

C17: 100u

**Trace cuts (37)****Jumpers (19)****Resistors (20)**

R1: 2M2

R2: 10k

R3: 1M

R4: 3k3

R5: 8k2

R6: 680k

R7: 1k8

R8: 1k8

R9: 15k

R10: 10k

R11: 6k8

R12: 22k

R13: 22k

R14: 6k8

R15: 47k

R16: 220k

R17: 100k

R18: 100k

R19: 47k

R20: 47k

**Capacitors (17)**

C1: 220p

C2: 10n

C3: 68n

C4: 100p

C5: 68n

C6: 50p

C7: 100n

C8: 4n7

C9: 50p

C10: 15n

C11: 6n8

C12: 100p

C13: 2n2

C14: 1n

C15: 470n

**Diodes (3)**

D1: 1N4148

D2: 1N4148

D3: 1N4001

**ICs (3)**

U1: TL072

U2: TL072

U3: TL072

**Potentiometers (6)**

GAIN: A100k

BASS: B10k

MID: B10k

SWEEP: C100k dual

TREBLE: B10k

VOLUME: B100k

**Switches (1)**

TOP: SPST off-on

# Mutant

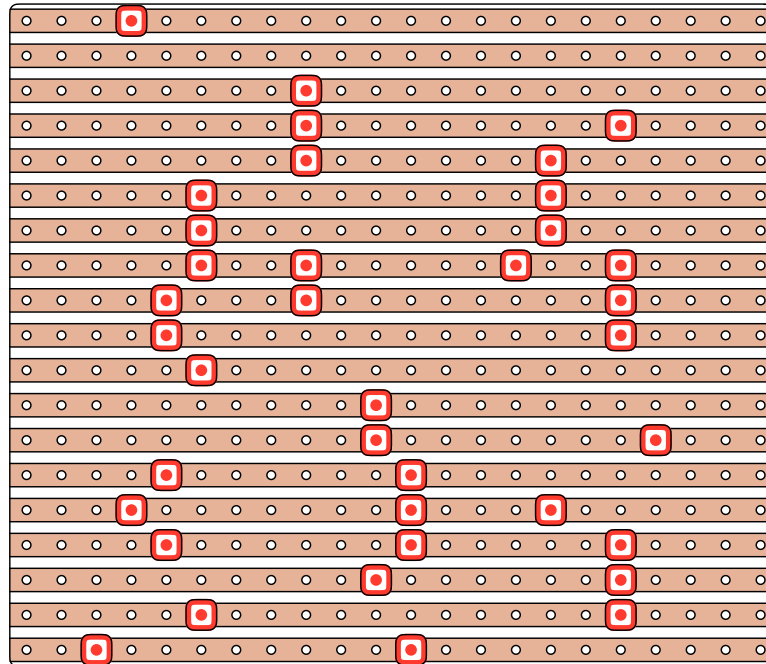
Version: 1.0

Date: 14.05.2016

Verified

Based on own schematic, version 1.0

Author: Harald Sabro



Board size: (22x19)

Trace cut #: 37

## Boards (1)

1x (22 x 19)

## Resistors (20)

2x 100k

2x 10k

1x 15k

2x 1k8

1x 1M

1x 220k

2x 22k

1x 2M2

1x 3k3

3x 47k

1x 680k

2x 6k8

1x 8k2

## Capacitors (17)

1x 100n

2x 100p

2x 100u

1x 10n

1x 15n

1x 1n

1x 220p

1x 2n2

1x 470n

1x 4n7

2x 50p

2x 68n

1x 6n8

## Diodes (3)

1x 1N4001

2x 1N4148

## ICs (3)

3x TL072

## Potentiometers (6)

1x A100k

1x B100k

3x B10k

1x C100k dual

## Switches (1)

1x SPST off-on