

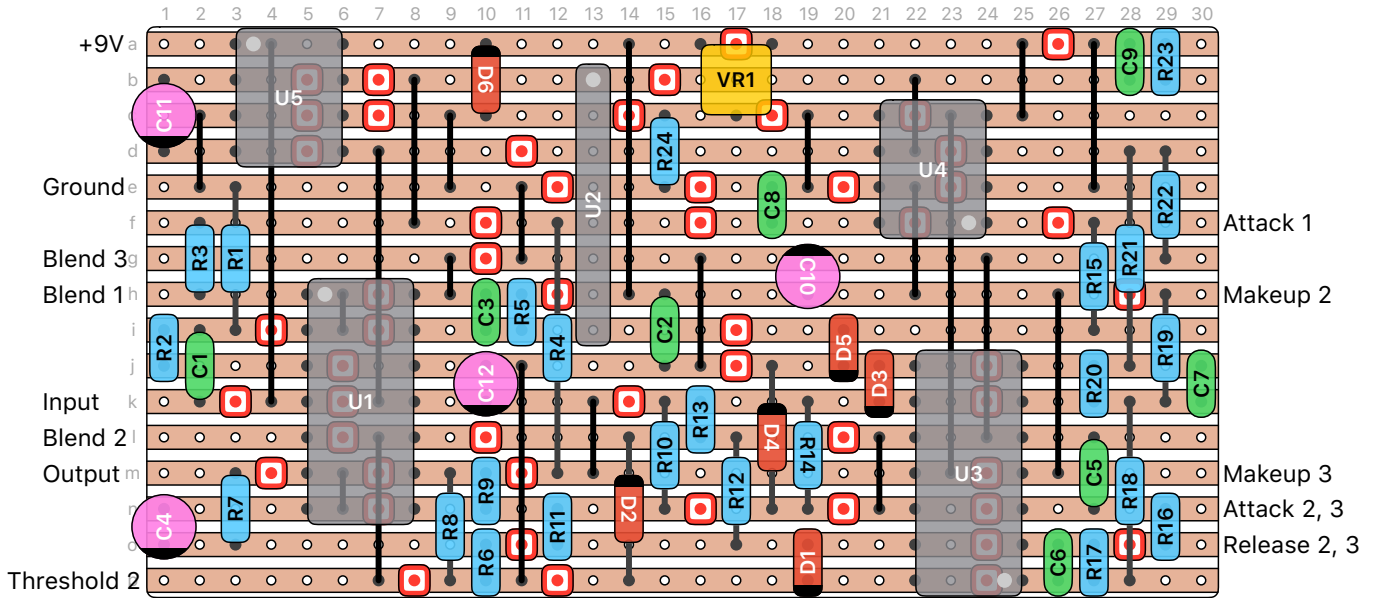
VCA compressor

Version: 1.0

Date: 24/05/2019

Basen on own schematic (0.1)

Author: Harald Sabro



Connections (4)

- Threshold 3 -> Blend 1
- Release 1 -> Ground
- Makeup 1 -> Ground
- Threshold 1 -> Ground

Notes (1)

- Note U3 & U4 orientation

VCA compressor	Version: 1.0	Date: 24/05/2019
	Author: Harald Sabro	
Basen on own schematic (0.1)		

Boards (1)

BD1: 30 x 16

Trace cuts (52)

Jumpers (23)

Resistors (24)

R1: 1M

R2: 10k

R3: 27k

R4: 3k9

R5: 15k

R6: 100k

R7: 100

R8: 10k

R9: 68k

R10: 20k

R11: 20k

R12: 20k

R13: 10k

R14: 68k

R15: 820

R16: 180k

R17: 470k

R18: 120k

R19: 240k

R20: 100k

R21: 1k

R22: 120

R23: 1k

R24: 1M

Capacitors (12)

C1: 47n

C2: 100n

C3: 100p

C4: 4u7

C5: 470n

C6: 10p

C7: 100p

C8: 100p

C9: 100p

C10: 100u

C11: 1u

C12: 1u

Diodes (6)

D1: 1N4148

D2: 1N4148

D3: 1N4148

D4: 1N4148

D5: 1N4148

D6: 1N4001

ICs (5)

U1: TL074

U2: THAT2181

U3: TL074

U4: NE5534

U5: ICL7660S

Trimmers (1)

VR1: 100k

Potentiometers (5)

Attack: A250k

Blend: B10k

Makeup: B50k

Release: B1M

Threshold: B100k

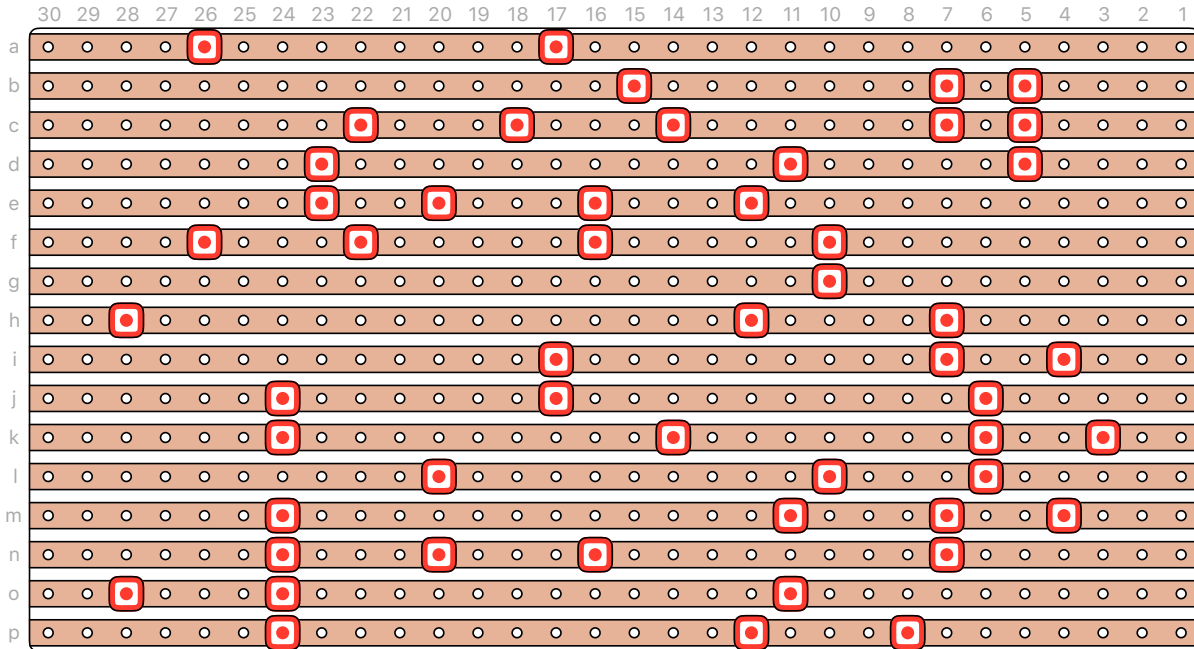
VCA compressor

Version: 1.0

Date: 24/05/2019

Basen on own schematic (0.1)

Author: Harald Sabro



Board size: (30x16)

Trace cut #: 52

Boards (1)

1x (30 x 16)

Resistors (24)

- 1x 100
- 2x 100k
- 3x 10k
- 1x 120
- 1x 120k
- 1x 15k
- 1x 180k
- 2x 1k
- 2x 1M
- 3x 20k
- 1x 240k
- 1x 27k
- 1x 3k9
- 1x 470k
- 2x 68k
- 1x 820

Capacitors (12)

- 1x 100n
- 4x 100p
- 1x 100u
- 1x 10p
- 2x 1u
- 1x 470n
- 1x 47n
- 1x 4u7

Diodes (6)

- 1x 1N4001
- 5x 1N4148

ICs (5)

- 1x ICL7660S
- 1x NE5534
- 1x THAT2181
- 2x TL074

Trimmers (1)

1x 100k

Potentiometers (5)

- 1x A250k
- 1x B100k
- 1x B10k
- 1x B1M
- 1x B50k